

**SCM 4CO ECO****Weidmüller Interface GmbH & Co. KG**

Klingenbergstraße 26

D-32758 Detmold

Germany

www.weidmueller.com

**Product image**

Relay sockets for the D-SERIES DRM relays

- 2 and 4 CO contacts
- Screw and PUSH IN connection
- Standard and low heights

**General ordering data**

Version	D-SERIES DRM, Relay socket, Number of contacts: 4, CO contact, Continuous current: 6 A, Screw connection
Order No.	<a href="#">7760056264</a>
Type	SCM 4CO ECO
GTIN (EAN)	6944 169662973
Qty.	10 pc(s).

Creation date April 26, 2022 5:25:31 AM CEST

Catalogue status 08.04.2022 / We reserve the right to make technical changes.

## SCM 4CO ECO

Weidmüller Interface GmbH &amp; Co. KG

Klingenbergstraße 26

D-32758 Detmold

Germany

www.weidmueller.com

## Technical data

## Dimensions and weights

Depth	61 mm	Depth (inches)	2.402 inch
Height	79.9 mm	Height (inches)	3.146 inch
Width	27.2 mm	Width (inches)	1.071 inch
Net weight	67.6 g		

## Temperatures

Storage temperature	-40 °C...70 °C	Operating temperature	-40 °C...70 °C
Humidity	35...85 % rel. humidity, no condensation		

## Environmental Product Compliance

REACH SVHC	Lead 7439-92-1
------------	----------------

## Rated data UL

Certificate No. (cURus)	E312083
-------------------------	---------

## Load side

Rated switching voltage	250 V AC	Continuous current	6 A
Max. switching voltage, AC	300 V	Contact type	4 CO contact

## General data

Rail	TS 35		
Colour	black		
UL94 flammability rating component	Component	Retaining clip	
	UL94 flammability rating	HB	
	Component	Mounting foot	
	UL94 flammability rating	HB	
	Component	Housing	
	UL94 flammability rating	V-2	

## Insulation coordination

Rated voltage	250 V	Pollution severity	2
Surge voltage category	III	Insulating material group	C
Clearance and creepage distances for control side - load side	≥ 5.5 mm	Dielectric strength for control side - load side	4 kV <sub>eff</sub> / 1 min
Dielectric strength of neighbouring contacts	4 kV <sub>eff</sub> / 1 min	Dielectric strength of open contact	1 kV <sub>eff</sub> / 1 min
Impulse withstand voltage	4.8 kV (1.2/50 μs)	Protection degree	IP20

## Further details of approvals / standards

Standards	EN 60664-1:2007, EN 61000-6-2:2005, EN 61000-6-4:2007 + A1:2011, UL 508	Certificate No. (cURus)	E312083
-----------	--	-------------------------	---------

## SCM 4CO ECO

Weidmüller Interface GmbH &amp; Co. KG

Klingenbergstraße 26

D-32758 Detmold

Germany

www.weidmueller.com

## Technical data

## Connection data

Wire connection method	Screw connection	Stripping length, rated connection	7 mm
Tightening torque, min.	0.5 Nm	Tightening torque, max.	0.8 Nm
Clamping range, min.	0.5 mm <sup>2</sup>	Clamping range, max.	2.5 mm <sup>2</sup>
Wire cross-section, solid, min.	0.5 mm <sup>2</sup>	Wire cross-section, solid, max.	2.5 mm <sup>2</sup>
Wire connection cross section, finely stranded, min.	0.5 mm <sup>2</sup>	Wire connection cross section, finely stranded, max.	2.5 mm <sup>2</sup>
Wire connection cross-section, finely stranded with wire-end ferrules DIN 46228/4, min.	0.5 mm <sup>2</sup>	Wire connection cross-section, finely stranded with wire-end ferrules DIN 46228/4, max.	2.5 mm <sup>2</sup>
Conductor cross-section, flexible, AEH (DIN 46228-1), min.	0.5 mm <sup>2</sup>	Conductor cross-section, flexible, AEH (DIN 46228-1), max.	2.5 mm <sup>2</sup>
Wire connection cross section, finely stranded, two clampable wires, min.	0.5 mm <sup>2</sup>	Wire cross-section, finely stranded, two clampable wires, max.	1.5 mm <sup>2</sup>
Blade size	size PH1		

## Classifications

ETIM 6.0	EC001456	ETIM 7.0	EC001456
ETIM 8.0	EC001456	ECLASS 9.0	27-37-16-03
ECLASS 9.1	27-37-16-03	ECLASS 10.0	27-37-16-03
ECLASS 11.0	27-37-16-03		

## Approvals

Approvals



ROHS	Conform
UL File Number Search	E312083

## Downloads

Approval/Certificate/Document of Conformity	<a href="#">EU Konformitätserklärung / EU Declaration of Conformity</a>
Engineering Data	<a href="#">CAD data – STEP</a>
Engineering Data	<a href="#">EPLAN, WSCAD</a>
Catalogues	<a href="#">Catalogues in PDF-format</a>
Brochures	

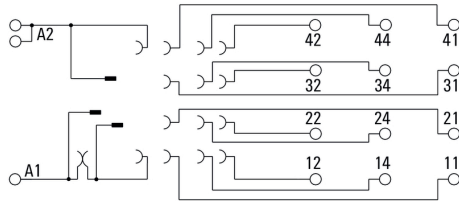
**SCM 4CO ECO**

**Weidmüller Interface GmbH & Co. KG**  
 Klingenbergstraße 26  
 D-32758 Detmold  
 Germany

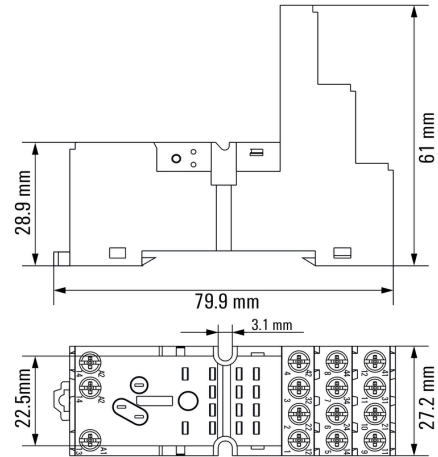
www.weidmueller.com

**Drawings**

**Wiring diagram**



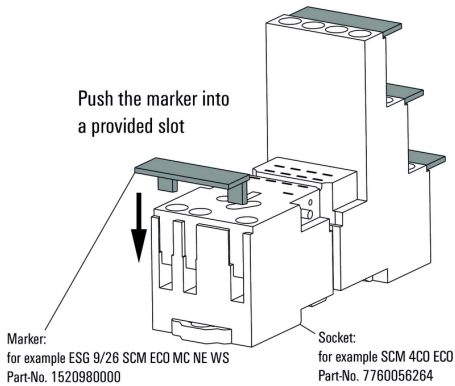
**Dimensional drawing**



**Example of use**

**How to install marker**

on screw connection sockets (four slots available)



**How to install marker**

on screw connection sockets (four slots available)

## SCM 4CO ECO

**Weidmüller Interface GmbH & Co. KG**  
 Klingenbergstraße 26  
 D-32758 Detmold  
 Germany

www.weidmueller.com

## Mating connector (fully pluggable)

### with LED and free-wheel diode



Individual relays within the D-SERIES DRM

- 2 CO contacts
- DC coils
- With integrated status LED and free-wheeling diode

### General ordering data

Type	DRM270024LD	Version
Order No.	<a href="#">7760056124</a>	D-SERIES DRM, Relay, Number of contacts: 2, CO contact, AgNi flash gold-plated, Rated control voltage: 24 V DC, Continuous current: 10 A, Plug-in connection
GTIN (EAN)	4032248855544	
Qty.	20 pc(s).	
Type	DRM270024LD	Version
Order No.	<a href="#">7760056077</a>	D-SERIES DRM, Relay, Number of contacts: 2, CO contact, AgNi flash gold-plated, Rated control voltage: 24 V DC, Continuous current: 10 A, Plug-in connection
GTIN (EAN)	4032248855780	
Qty.	20 pc(s).	

### with LED



Individual relays within the D-SERIES DRM

- 2 CO contacts
- AC coils
- With integrated status LED

### General ordering data

Type	DRM270024L AU	Version
Order No.	<a href="#">7760056183</a>	D-SERIES DRM, Relay, Number of contacts: 2, CO contact, AgNi gold-plated, Rated control voltage: 24 V DC, Continuous current: 10 A, Plug-in connection
GTIN (EAN)	4032248922222	
Qty.	20 pc(s).	
Type	DRM270730L AU	Version
Order No.	<a href="#">7760056184</a>	D-SERIES DRM, Relay, Number of contacts: 2, CO contact, AgNi gold-plated, Rated control voltage: 230 V AC, Continuous current: 10 A, Plug-in connection
GTIN (EAN)	4032248922239	
Qty.	20 pc(s).	

## SCM 4CO ECO

Weidmüller Interface GmbH &amp; Co. KG

Klingenbergstraße 26

D-32758 Detmold

Germany

www.weidmueller.com

## Mating connector (fully pluggable)

## with LED



Individual relays within the D-SERIES DRM

- 2 CO contacts
- AC coils
- With integrated status LED

## General ordering data

Type	DRM270524L	Version
Order No.	<a href="#">7760056064</a>	D-SERIES DRM, Relay, Number of contacts: 2, CO contact, AgNi flash
GTIN (EAN)	4032248855919	gold-plated, Rated control voltage: 24 V AC, Continuous current: 10 A,
Qty.	20 pc(s).	Plug-in connection
Type	DRM270024L	Version
Order No.	<a href="#">7760056060</a>	D-SERIES DRM, Relay, Number of contacts: 2, CO contact, AgNi flash
GTIN (EAN)	4032248855957	gold-plated, Rated control voltage: 24 V DC, Continuous current: 10 A,
Qty.	20 pc(s).	Plug-in connection
Type	DRM270012L	Version
Order No.	<a href="#">7760056059</a>	D-SERIES DRM, Relay, Number of contacts: 2, CO contact, AgNi flash
GTIN (EAN)	4032248855964	gold-plated, Rated control voltage: 12 V DC, Continuous current: 10 A,
Qty.	20 pc(s).	Plug-in connection
Type	DRM270110L	Version
Order No.	<a href="#">7760056062</a>	D-SERIES DRM, Relay, Number of contacts: 2, CO contact, AgNi flash
GTIN (EAN)	4032248855933	gold-plated, Rated control voltage: 110 V DC, Continuous current: 10
Qty.	20 pc(s).	A, Plug-in connection
Type	DRM270048L	Version
Order No.	<a href="#">7760056061</a>	D-SERIES DRM, Relay, Number of contacts: 2, CO contact, AgNi flash
GTIN (EAN)	4032248855940	gold-plated, Rated control voltage: 48 V DC, Continuous current: 10 A,
Qty.	20 pc(s).	Plug-in connection
Type	DRM270220L	Version
Order No.	<a href="#">7760056063</a>	D-SERIES DRM, Relay, Number of contacts: 2, CO contact, AgNi flash
GTIN (EAN)	4032248855926	gold-plated, Rated control voltage: 220 V DC, Continuous current: 10
Qty.	20 pc(s).	A, Plug-in connection
Type	DRM270615L	Version
Order No.	<a href="#">7760056066</a>	D-SERIES DRM, Relay, Number of contacts: 2, CO contact, AgNi flash
GTIN (EAN)	4032248855896	gold-plated, Rated control voltage: 115 V AC, Continuous current: 10
Qty.	20 pc(s).	A, Plug-in connection
Type	DRM270730L	Version
Order No.	<a href="#">7760056067</a>	D-SERIES DRM, Relay, Number of contacts: 2, CO contact, AgNi flash
GTIN (EAN)	4032248855889	gold-plated, Rated control voltage: 230 V AC, Continuous current: 10
Qty.	20 pc(s).	A, Plug-in connection
Type	DRM270548L	Version
Order No.	<a href="#">7760056065</a>	D-SERIES DRM, Relay, Number of contacts: 2, CO contact, AgNi flash
GTIN (EAN)	4032248855902	gold-plated, Rated control voltage: 48 V AC, Continuous current: 10 A,
Qty.	20 pc(s).	Plug-in connection

## SCM 4CO ECO

**Weidmüller Interface GmbH & Co. KG**  
 Klingenbergstraße 26  
 D-32758 Detmold  
 Germany

www.weidmueller.com

## Mating connector (fully pluggable)

## standard relay



Individual relays within the D-SERIES DRM

- 4 CO contacts
- Optional AC or DC coils

## General ordering data

Type	DRM570024	Version
Order No.	<a href="#">7760056079</a>	D-SERIES DRM, Relay, Number of contacts: 4, CO contact, AgNi flash gold-plated, Rated control voltage: 24 V DC, Continuous current: 5 A, Plug-in connection
GTIN (EAN)	4032248855 124	
Qty.	20 pc(s).	
Type	DRM570548	Version
Order No.	<a href="#">7760056084</a>	D-SERIES DRM, Relay, Number of contacts: 4, CO contact, AgNi flash gold-plated, Rated control voltage: 48 V AC, Continuous current: 5 A, Plug-in connection
GTIN (EAN)	4032248855 193	
Qty.	20 pc(s).	
Type	DRM570615	Version
Order No.	<a href="#">7760056085</a>	D-SERIES DRM, Relay, Number of contacts: 4, CO contact, AgNi flash gold-plated, Rated control voltage: 115 V AC, Continuous current: 5 A, Plug-in connection
GTIN (EAN)	4032248855230	
Qty.	20 pc(s).	
Type	DRM570220	Version
Order No.	<a href="#">7760056082</a>	D-SERIES DRM, Relay, Number of contacts: 4, CO contact, AgNi flash gold-plated, Rated control voltage: 220 V DC, Continuous current: 5 A, Plug-in connection
GTIN (EAN)	4032248855 162	
Qty.	20 pc(s).	
Type	DRM570110	Version
Order No.	<a href="#">7760056081</a>	D-SERIES DRM, Relay, Number of contacts: 4, CO contact, AgNi flash gold-plated, Rated control voltage: 110 V DC, Continuous current: 5 A, Plug-in connection
GTIN (EAN)	4032248855 131	
Qty.	20 pc(s).	
Type	DRM570524	Version
Order No.	<a href="#">7760056083</a>	D-SERIES DRM, Relay, Number of contacts: 4, CO contact, AgNi flash gold-plated, Rated control voltage: 24 V AC, Continuous current: 5 A, Plug-in connection
GTIN (EAN)	4032248855 186	
Qty.	20 pc(s).	
Type	DRM570730	Version
Order No.	<a href="#">7760056086</a>	D-SERIES DRM, Relay, Number of contacts: 4, CO contact, AgNi flash gold-plated, Rated control voltage: 230 V AC, Continuous current: 5 A, Plug-in connection
GTIN (EAN)	4032248855254	
Qty.	20 pc(s).	
Type	DRM570012	Version
Order No.	<a href="#">7760056078</a>	D-SERIES DRM, Relay, Number of contacts: 4, CO contact, AgNi flash gold-plated, Rated control voltage: 12 V DC, Continuous current: 5 A, Plug-in connection
GTIN (EAN)	4032248855 117	
Qty.	20 pc(s).	
Type	DRM570048	Version
Order No.	<a href="#">7760056080</a>	D-SERIES DRM, Relay, Number of contacts: 4, CO contact, AgNi flash gold-plated, Rated control voltage: 48 V DC, Continuous current: 5 A, Plug-in connection
GTIN (EAN)	4032248855 148	
Qty.	20 pc(s).	

**SCM 4CO ECO**

**Weidmüller Interface GmbH & Co. KG**  
 Klingenbergstraße 26  
 D-32758 Detmold  
 Germany

www.weidmueller.com

**Mating connector (fully pluggable)**

**with LED and test button**



- Individual relays within the D-SERIES DRM
- 2 CO contacts
  - AC coils
  - With integrated status LED and test button

**General ordering data**

Type	DRM270024LT AU	Version
Order No.	<a href="#">7760056185</a>	D-SERIES DRM, Relay, Number of contacts: 2, CO contact, AgNi gold-plated, Rated control voltage: 24 V DC, Continuous current: 10 A, Plug-in connection
GTIN (EAN)	4032248922246	
Qty.	20 pc(s).	
Type	DRM270730LT AU	Version
Order No.	<a href="#">7760056186</a>	D-SERIES DRM, Relay, Number of contacts: 2, CO contact, AgNi gold-plated, Rated control voltage: 230 V AC, Continuous current: 10 A, Plug-in connection
GTIN (EAN)	4032248922253	
Qty.	20 pc(s).	

**with LED and free-wheel diode**



- Relay from the D-SERIES DRE.
- 2 or 4 CO contacts
  - Compact design
  - Wide range of coil voltages
  - Integrated with test button (AC red, DC blue)
  - Integrated with status display (AC red, DC green) and/or free-wheel diode

**General ordering data**

Type	DRE570024LD	Version
Order No.	<a href="#">7760054289</a>	D-SERIES DRE, Relay, Number of contacts: 4, CO contact, Ag alloy, Rated control voltage: 24 V DC, Continuous current: 3 A, Plug-in connection
GTIN (EAN)	6944169719974	
Qty.	20 pc(s).	



## SCM 4CO ECO

Weidmüller Interface GmbH &amp; Co. KG

Klingenbergstraße 26

D-32758 Detmold

Germany

www.weidmueller.com

## Mating connector (fully pluggable)

## with LED and test button



Individual relays within the D-SERIES DRM

- 4 CO contacts
- AC coils
- With integrated status LED and test button

## General ordering data

Type	DRM570220LT AU	Version
Order No.	<a href="#">7760056287</a>	D-SERIES DRM, Relay, Number of contacts: 4, CO contact AgNi gold-plated, Rated control voltage: 220 V DC, Continuous current: 5 A, Plug-in connection, Test button available: Yes
GTIN (EAN)	6944169722516	
Qty.	20 pc(s).	
Type	DRM570730LT AU	Version
Order No.	<a href="#">7760056190</a>	D-SERIES DRM, Relay, Number of contacts: 4, CO contact, AgNi gold-plated, Rated control voltage: 230 V AC, Continuous current: 5 A, Plug-in connection
GTIN (EAN)	4032248922291	
Qty.	20 pc(s).	
Type	DRM570024LT AU	Version
Order No.	<a href="#">7760056189</a>	D-SERIES DRM, Relay, Number of contacts: 4, CO contact, AgNi gold-plated, Rated control voltage: 24 V DC, Continuous current: 5 A, Plug-in connection
GTIN (EAN)	4032248922284	
Qty.	20 pc(s).	

## with LED



Relay from the D-SERIES DRE.

- 2 or 4 CO contacts
- Compact design
- Wide range of coil voltages
- Integrated with test button (AC red, DC blue)
- Integrated with status display (AC red, DC green) and/or free-wheel diode

## General ordering data

Type	DRE570048L	Version
Order No.	<a href="#">7760054283</a>	D-SERIES DRE, Relay, Number of contacts: 4, CO contact, Ag alloy, Rated control voltage: 48 V DC, Continuous current: 3 A, Plug-in connection
GTIN (EAN)	6944169719912	
Qty.	20 pc(s).	
Type	DRE570730L	Version
Order No.	<a href="#">7760054288</a>	D-SERIES DRE, Relay, Number of contacts: 4, CO contact, Ag alloy, Rated control voltage: 230 V AC, Continuous current: 3 A, Plug-in connection
GTIN (EAN)	6944169719967	
Qty.	20 pc(s).	
Type	DRE570024L	Version
Order No.	<a href="#">7760054282</a>	D-SERIES DRE, Relay, Number of contacts: 4, CO contact, Ag alloy, Rated control voltage: 24 V DC, Continuous current: 3 A, Plug-in connection
GTIN (EAN)	6944169719905	
Qty.	20 pc(s).	

## SCM 4CO ECO

**Weidmüller Interface GmbH & Co. KG**  
 Klingenbergstraße 26  
 D-32758 Detmold  
 Germany

www.weidmueller.com

## Mating connector (fully pluggable)

Type	DRE570012L	Version
Order No.	<a href="#">7760054281</a>	D-SERIES DRE, Relay, Number of contacts: 4, CO contact, Ag alloy,
GTIN (EAN)	6944169719899	Rated control voltage: 12 V DC, Continuous current: 3 A, Plug-in
Qty.	20 pc(s).	connection
Type	DRE570615L	Version
Order No.	<a href="#">7760054287</a>	D-SERIES DRE, Relay, Number of contacts: 4, CO contact, Ag alloy,
GTIN (EAN)	6944169719950	Rated control voltage: 115 V AC, Continuous current: 3 A, Plug-in
Qty.	20 pc(s).	connection
Type	DRE570524L	Version
Order No.	<a href="#">7760054285</a>	D-SERIES DRE, Relay, Number of contacts: 4, CO contact, Ag alloy,
GTIN (EAN)	6944169719936	Rated control voltage: 24 V AC, Continuous current: 3 A, Plug-in
Qty.	20 pc(s).	connection
Type	DRE570548L	Version
Order No.	<a href="#">7760054286</a>	D-SERIES DRE, Relay, Number of contacts: 4, CO contact, Ag alloy,
GTIN (EAN)	6944169719943	Rated control voltage: 48 V AC, Continuous current: 3 A, Plug-in
Qty.	20 pc(s).	connection
Type	DRE570110L	Version
Order No.	<a href="#">7760054284</a>	D-SERIES DRE, Relay, Number of contacts: 4, CO contact, Ag alloy,
GTIN (EAN)	6944169719929	Rated control voltage: 110 V DC, Continuous current: 3 A, Plug-in
Qty.	20 pc(s).	connection

## standard relay



Individual relays within the D-SERIES DRM

- 2 CO contacts
- Optional AC or DC coils

## General ordering data

Type	DRM270048	Version
Order No.	<a href="#">7760056052</a>	D-SERIES DRM, Relay, Number of contacts: 2, CO contact, AgNi flash
GTIN (EAN)	4032248856039	gold-plated, Rated control voltage: 48 V DC, Continuous current: 10 A,
Qty.	20 pc(s).	Plug-in connection
Type	DRM270012	Version
Order No.	<a href="#">7760056050</a>	D-SERIES DRM, Relay, Number of contacts: 2, CO contact, AgNi flash
GTIN (EAN)	4032248856053	gold-plated, Rated control voltage: 12 V DC, Continuous current: 10 A,
Qty.	20 pc(s).	Plug-in connection
Type	DRM270548	Version
Order No.	<a href="#">7760056056</a>	D-SERIES DRM, Relay, Number of contacts: 2, CO contact, AgNi flash
GTIN (EAN)	4032248855995	gold-plated, Rated control voltage: 48 V AC, Continuous current: 10 A,
Qty.	20 pc(s).	Plug-in connection
Type	DRM270524	Version
Order No.	<a href="#">7760056055</a>	D-SERIES DRM, Relay, Number of contacts: 2, CO contact, AgNi flash
GTIN (EAN)	4032248856008	gold-plated, Rated control voltage: 24 V AC, Continuous current: 10 A,
Qty.	20 pc(s).	Plug-in connection

Creation date April 26, 2022 5:25:31 AM CEST

Catalogue status 08.04.2022 / We reserve the right to make technical changes.

10

## SCM 4CO ECO

**Weidmüller Interface GmbH & Co. KG**  
 Klingenbergstraße 26  
 D-32758 Detmold  
 Germany

www.weidmueller.com

## Mating connector (fully pluggable)

Type	DRM270615	Version
Order No.	<a href="#">7760056057</a>	D-SERIES DRM, Relay, Number of contacts: 2, CO contact, AgNi flash
GTIN (EAN)	4032248855988	gold-plated, Rated control voltage: 115 V AC, Continuous current: 10
Qty.	20 pc(s).	A, Plug-in connection
Type	DRM270110	Version
Order No.	<a href="#">7760056053</a>	D-SERIES DRM, Relay, Number of contacts: 2, CO contact, AgNi flash
GTIN (EAN)	4032248856022	gold-plated, Rated control voltage: 110 V DC, Continuous current: 10
Qty.	20 pc(s).	A, Plug-in connection
Type	DRM270024	Version
Order No.	<a href="#">7760056051</a>	D-SERIES DRM, Relay, Number of contacts: 2, CO contact, AgNi flash
GTIN (EAN)	4032248856046	gold-plated, Rated control voltage: 24 V DC, Continuous current: 10 A,
Qty.	20 pc(s).	Plug-in connection
Type	DRM270220	Version
Order No.	<a href="#">7760056054</a>	D-SERIES DRM, Relay, Number of contacts: 2, CO contact, AgNi flash
GTIN (EAN)	4032248856015	gold-plated, Rated control voltage: 220 V DC, Continuous current: 10
Qty.	20 pc(s).	A, Plug-in connection
Type	DRM270730	Version
Order No.	<a href="#">7760056058</a>	D-SERIES DRM, Relay, Number of contacts: 2, CO contact, AgNi flash
GTIN (EAN)	4032248855971	gold-plated, Rated control voltage: 230 V AC, Continuous current: 10
Qty.	20 pc(s).	A, Plug-in connection

## with LED and test button



Individual relays within the D-SERIES DRM

- 4 CO contacts
- AC coils
- With integrated status LED and test button

## General ordering data

Type	DRM570524LT	Version
Order No.	<a href="#">7760056101</a>	D-SERIES DRM, Relay, Number of contacts: 4, CO contact, AgNi flash
GTIN (EAN)	4032248855636	gold-plated, Rated control voltage: 24 V AC, Continuous current: 5 A,
Qty.	20 pc(s).	Plug-in connection
Type	DRM570615LT	Version
Order No.	<a href="#">7760056103</a>	D-SERIES DRM, Relay, Number of contacts: 4, CO contact, AgNi flash
GTIN (EAN)	4032248855612	gold-plated, Rated control voltage: 115 V AC, Continuous current: 5 A,
Qty.	20 pc(s).	Plug-in connection
Type	DRM570048LT	Version
Order No.	<a href="#">7760056098</a>	D-SERIES DRM, Relay, Number of contacts: 4, CO contact, AgNi flash
GTIN (EAN)	4032248855667	gold-plated, Rated control voltage: 48 V DC, Continuous current: 5 A,
Qty.	20 pc(s).	Plug-in connection
Type	DRM570548LT	Version
Order No.	<a href="#">7760056102</a>	D-SERIES DRM, Relay, Number of contacts: 4, CO contact, AgNi flash
GTIN (EAN)	4032248855629	gold-plated, Rated control voltage: 48 V AC, Continuous current: 5 A,
Qty.	20 pc(s).	Plug-in connection

## SCM 4CO ECO

**Weidmüller Interface GmbH & Co. KG**  
 Klingenbergstraße 26  
 D-32758 Detmold  
 Germany

www.weidmueller.com

## Mating connector (fully pluggable)

Type	DRM570730LT	Version
Order No.	<a href="#">7760056104</a>	D-SERIES DRM, Relay, Number of contacts: 4, CO contact, AgNi flash
GTIN (EAN)	4032248855605	gold-plated, Rated control voltage: 230 V AC, Continuous current: 5 A,
Qty.	20 pc(s).	Plug-in connection
Type	DRM570012LT	Version
Order No.	<a href="#">7760056096</a>	D-SERIES DRM, Relay, Number of contacts: 4, CO contact, AgNi flash
GTIN (EAN)	4032248855681	gold-plated, Rated control voltage: 12 V DC, Continuous current: 5 A,
Qty.	20 pc(s).	Plug-in connection
Type	DRM570110LT	Version
Order No.	<a href="#">7760056099</a>	D-SERIES DRM, Relay, Number of contacts: 4, CO contact, AgNi flash
GTIN (EAN)	4032248855650	gold-plated, Rated control voltage: 110 V DC, Continuous current: 5 A,
Qty.	20 pc(s).	Plug-in connection
Type	DRM570220LT	Version
Order No.	<a href="#">7760056100</a>	D-SERIES DRM, Relay, Number of contacts: 4, CO contact, AgNi flash
GTIN (EAN)	4032248855643	gold-plated, Rated control voltage: 220 V DC, Continuous current: 5 A,
Qty.	20 pc(s).	Plug-in connection
Type	DRM570024LT	Version
Order No.	<a href="#">7760056097</a>	D-SERIES DRM, Relay, Number of contacts: 4, CO contact, AgNi flash
GTIN (EAN)	4032248855674	gold-plated, Rated control voltage: 24 V DC, Continuous current: 5 A,
Qty.	20 pc(s).	Plug-in connection

## with LED and test button



Individual relays within the D-SERIES DRM

- 2 CO contacts
- AC coils
- With integrated status LED and test button

## General ordering data

Type	DRM270548LT	Version
Order No.	<a href="#">7760056074</a>	D-SERIES DRM, Relay, Number of contacts: 2, CO contact, AgNi flash
GTIN (EAN)	4032248855810	gold-plated, Rated control voltage: 48 V AC, Continuous current: 10 A,
Qty.	20 pc(s).	Plug-in connection
Type	DRM270012LT	Version
Order No.	<a href="#">7760056068</a>	D-SERIES DRM, Relay, Number of contacts: 2, CO contact, AgNi flash
GTIN (EAN)	4032248855872	gold-plated, Rated control voltage: 12 V DC, Continuous current: 10 A,
Qty.	20 pc(s).	Plug-in connection
Type	DRM270220LT	Version
Order No.	<a href="#">7760056072</a>	D-SERIES DRM, Relay, Number of contacts: 2, CO contact, AgNi flash
GTIN (EAN)	4032248855834	gold-plated, Rated control voltage: 220 V DC, Continuous current: 10
Qty.	20 pc(s).	A, Plug-in connection
Type	DRM270524LT	Version
Order No.	<a href="#">7760056073</a>	D-SERIES DRM, Relay, Number of contacts: 2, CO contact, AgNi flash
GTIN (EAN)	4032248855827	gold-plated, Rated control voltage: 24 V AC, Continuous current: 10 A,
Qty.	20 pc(s).	Plug-in connection

## SCM 4CO ECO

**Weidmüller Interface GmbH & Co. KG**  
 Klingenbergstraße 26  
 D-32758 Detmold  
 Germany

www.weidmueller.com

## Mating connector (fully pluggable)

Type	DRM270024LT	Version
Order No.	<a href="#">7760056069</a>	D-SERIES DRM, Relay, Number of contacts: 2, CO contact, AgNi flash
GTIN (EAN)	4032248855865	gold-plated, Rated control voltage: 24 V DC, Continuous current: 10 A,
Qty.	20 pc(s).	Plug-in connection
Type	DRM270048LT	Version
Order No.	<a href="#">7760056070</a>	D-SERIES DRM, Relay, Number of contacts: 2, CO contact, AgNi flash
GTIN (EAN)	4032248855858	gold-plated, Rated control voltage: 48 V DC, Continuous current: 10 A,
Qty.	20 pc(s).	Plug-in connection
Type	DRM270110LT	Version
Order No.	<a href="#">7760056071</a>	D-SERIES DRM, Relay, Number of contacts: 2, CO contact, AgNi flash
GTIN (EAN)	4032248855841	gold-plated, Rated control voltage: 110 V DC, Continuous current: 10
Qty.	20 pc(s).	A, Plug-in connection
Type	DRM270615LT	Version
Order No.	<a href="#">7760056075</a>	D-SERIES DRM, Relay, Number of contacts: 2, CO contact, AgNi flash
GTIN (EAN)	4032248855803	gold-plated, Rated control voltage: 115 V AC, Continuous current: 10
Qty.	20 pc(s).	A, Plug-in connection
Type	DRM270730LT	Version
Order No.	<a href="#">7760056076</a>	D-SERIES DRM, Relay, Number of contacts: 2, CO contact, AgNi flash
GTIN (EAN)	4032248855797	gold-plated, Rated control voltage: 230 V AC, Continuous current: 10
Qty.	20 pc(s).	A, Plug-in connection

## with LED



Individual relays within the D-SERIES DRM

- 4 CO contact
- AC coils
- With integrated status LED

## General ordering data

Type	DRM570048L	Version
Order No.	<a href="#">7760056089</a>	D-SERIES DRM, Relay, Number of contacts: 4, CO contact, AgNi flash
GTIN (EAN)	4032248855759	gold-plated, Rated control voltage: 48 V DC, Continuous current: 5 A,
Qty.	20 pc(s).	Plug-in connection
Type	DRM570220L	Version
Order No.	<a href="#">7760056091</a>	D-SERIES DRM, Relay, Number of contacts: 4, CO contact, AgNi flash
GTIN (EAN)	4032248855735	gold-plated, Rated control voltage: 220 V DC, Continuous current: 5 A,
Qty.	20 pc(s).	Plug-in connection
Type	DRM570110L	Version
Order No.	<a href="#">7760056090</a>	D-SERIES DRM, Relay, Number of contacts: 4, CO contact, AgNi flash
GTIN (EAN)	4032248855742	gold-plated, Rated control voltage: 110 V DC, Continuous current: 5 A,
Qty.	20 pc(s).	Plug-in connection
Type	DRM570548L	Version
Order No.	<a href="#">7760056093</a>	D-SERIES DRM, Relay, Number of contacts: 4, CO contact, AgNi flash
GTIN (EAN)	4032248855711	gold-plated, Rated control voltage: 48 V AC, Continuous current: 5 A,
Qty.	20 pc(s).	Plug-in connection

Creation date April 26, 2022 5:25:31 AM CEST

Catalogue status 08.04.2022 / We reserve the right to make technical changes.

## SCM 4CO ECO

**Weidmüller Interface GmbH & Co. KG**  
 Klingenbergstraße 26  
 D-32758 Detmold  
 Germany

www.weidmueller.com

## Mating connector (fully pluggable)

Type	DRM570024L	Version
Order No.	<a href="#">7760056088</a>	D-SERIES DRM, Relay, Number of contacts: 4, CO contact, AgNi flash
GTIN (EAN)	4032248855766	gold-plated, Rated control voltage: 24 V DC, Continuous current: 5 A,
Qty.	20 pc(s).	Plug-in connection
Type	DRM570730L	Version
Order No.	<a href="#">7760056095</a>	D-SERIES DRM, Relay, Number of contacts: 4, CO contact, AgNi flash
GTIN (EAN)	4032248855698	gold-plated, Rated control voltage: 230 V AC, Continuous current: 5 A,
Qty.	20 pc(s).	Plug-in connection
Type	DRM570012L	Version
Order No.	<a href="#">7760056087</a>	D-SERIES DRM, Relay, Number of contacts: 4, CO contact, AgNi flash
GTIN (EAN)	4032248855773	gold-plated, Rated control voltage: 12 V DC, Continuous current: 5 A,
Qty.	20 pc(s).	Plug-in connection
Type	DRM570524L	Version
Order No.	<a href="#">7760056092</a>	D-SERIES DRM, Relay, Number of contacts: 4, CO contact, AgNi flash
GTIN (EAN)	4032248855728	gold-plated, Rated control voltage: 24 V AC, Continuous current: 5 A,
Qty.	20 pc(s).	Plug-in connection
Type	DRM570615L	Version
Order No.	<a href="#">7760056094</a>	D-SERIES DRM, Relay, Number of contacts: 4, CO contact, AgNi flash
GTIN (EAN)	4032248855704	gold-plated, Rated control voltage: 115 V AC, Continuous current: 5 A,
Qty.	20 pc(s).	Plug-in connection

## with LED



Individual relays within the D-SERIES DRM

- 4 CO contact
- AC coils
- With integrated status LED

## General ordering data

Type	DRM570024L AU	Version
Order No.	<a href="#">7760056187</a>	D-SERIES DRM, Relay, Number of contacts: 4, CO contact, AgNi gold-
GTIN (EAN)	4032248922260	plated, Rated control voltage: 24 V DC, Continuous current: 5 A, Plug-
Qty.	20 pc(s).	in connection
Type	DRM570730L AU	Version
Order No.	<a href="#">7760056188</a>	D-SERIES DRM, Relay, Number of contacts: 4, CO contact, AgNi gold-
GTIN (EAN)	4032248922277	plated, Rated control voltage: 230 V AC, Continuous current: 5 A, Plug-
Qty.	20 pc(s).	in connection

## SCM 4CO ECO

**Weidmüller Interface GmbH & Co. KG**  
 Klingenbergstraße 26  
 D-32758 Detmold  
 Germany

www.weidmueller.com

## Mating connector (fully pluggable)

## with LED and free-wheel diode



dividual relays within the D-SERIES DRM

- 4 CO contacts
- DC coils
- With integrated status LED and free-wheeling diode

## General ordering data

Type	DRM570024LD	Version
Order No.	<a href="#">7760056105</a>	D-SERIES DRM, Relay, Number of contacts: 4, CO contact, AgNi flash
GTIN (EAN)	4032248855599	gold-plated, Rated control voltage: 24 V DC, Continuous current: 5 A,
Qty.	20 pc(s).	Plug-in connection
Type	DRM570024LD	Version
Order No.	<a href="#">7760056123</a>	D-SERIES DRM, Relay, Number of contacts: 4, CO contact, AgNi flash
GTIN (EAN)	4032248855551	gold-plated, Rated control voltage: 24 V DC, Continuous current: 5 A,
Qty.	20 pc(s).	Plug-in connection

## SCM 4CO ECO

**Weidmüller Interface GmbH & Co. KG**  
 Klingenbergstraße 26  
 D-32758 Detmold  
 Germany

www.weidmueller.com

# Accessories

## Retaining clips



Retaining clip for D-SERIES DRM relays  
 • Metal and plastic retaining clip

### General ordering data

Type	SCM CLIP P	Version
Order No.	<a href="#">7760056367</a>	D-SERIES DRM, Retaining clip
GTIN (EAN)	6944169773334	
Qty.	5 pc(s).	
Type	DRM/DRL CLIP M	Version
Order No.	<a href="#">7760056108</a>	D-SERIES, Retaining clip
GTIN (EAN)	4032248855568	
Qty.	10 pc(s).	

## Custom printing



ESG is the tried-and-tested marker in MultiCard format for use on many well-known electrical devices. The result is high-quality device marking with a high-contrast appearance.

Various types are available for devices from manufacturers like Siemens, ABB, Beckhoff etc.

Advantages at a glance:

- Tags for universal usage, self-adhesive or clip-on tags, depending on type
- For aligned equipment, e.g. circuit breakers, we supply ESG markers for clipping onto tag rails
- Individual laser-quality printing according to specifications

**For custom printing:** Please send us a file of our labeling software M-Print PRO or M-Print PRO Online (without installation) for your labeling specifications.

### General ordering data

Type	ESG 9/26 SCM ECO MC SDR	Version
Order No.	<a href="#">1525800000</a>	ESG, Device markers x 26 mm, PA 66, Colour: To customer specification
GTIN (EAN)	4050118331875	
Qty.	80 pc(s).	



**SCM 4CO ECO**

**Weidmüller Interface GmbH & Co. KG**  
 Klingenbergstraße 26  
 D-32758 Detmold  
 Germany

www.weidmueller.com

**Accessories**

**Cross-connection for socket with screw connection**

Cross-connection for the sockets in the D-SERIES DRM.



**General ordering data**

Type	SCM-I QV S	Version
Order No.	<a href="#">1132080000</a>	RIDERSERIES RCM, Cross-connector
GTIN (EAN)	4032248912193	
Qty.	10 pc(s).	

**Crosshead screwdriver Phillips**

Crosshead screwdriver, Phillips, SDK PH DIN 5262, ISO 8764/2-PH, output to ISO 8764-PH, ChromTop tip, SoftFinish grip



**General ordering data**

Type	SDK PH1 X 80	Version
Order No.	<a href="#">2749410000</a>	Screwdriver, Blade length: 80 mm
GTIN (EAN)	4050118895636	
Qty.	1 pc(s).	

## SCM 4CO ECO

**Weidmüller Interface GmbH & Co. KG**  
 Klingenbergstraße 26  
 D-32758 Detmold  
 Germany

www.weidmueller.com

# Accessories

## LED



Pluggable protective modules for the D-SERIES relay sockets, with optional protective functions.

- With green LED

### General ordering data

Type	RIM 3 24/60VUC	Version
Order No.	<a href="#">7760056018</a>	D-SERIES, LED module, Rated control voltage: 24...60 V UC, Plug-in connection
GTIN (EAN)	4032248878130	
Qty.	10 pc(s).	
Type	RIM 3 6/24VUC	Version
Order No.	<a href="#">7940018457</a>	D-SERIES, LED module, Rated control voltage: 6...24 V UC, Plug-in connection
GTIN (EAN)	4032248878192	
Qty.	20 pc(s).	
Type	RIM 3 110/230VUC	Version
Order No.	<a href="#">7940018455</a>	D-SERIES, LED module, Rated control voltage: 110...230 V UC, Plug-in connection
GTIN (EAN)	4032248878185	
Qty.	20 pc(s).	

## LED / free-wheel diode



Pluggable protective modules for the D-SERIES relay sockets, with optional protective functions.

- With green LED and free-wheeling diode

### General ordering data

Type	RIM 2 24/60VDC	Version
Order No.	<a href="#">7760056016</a>	D-SERIES, LED module with freewheel diode, Rated control voltage: 24...60 V DC, Plug-in connection
GTIN (EAN)	4032248878123	
Qty.	10 pc(s).	
Type	RIM 2 6/24VDC	Version
Order No.	<a href="#">7760056015</a>	D-SERIES, LED module with freewheel diode, Rated control voltage: 6...24 V DC, Plug-in connection
GTIN (EAN)	4032248878116	
Qty.	10 pc(s).	
Type	RIM 2 110/230VDC	Version
Order No.	<a href="#">7760056017</a>	D-SERIES, LED module with freewheel diode, Rated control voltage: 110...230 V DC, Plug-in connection
GTIN (EAN)	4032248896615	
Qty.	10 pc(s).	

## SCM 4CO ECO

**Weidmüller Interface GmbH & Co. KG**  
 Klingenbergstraße 26  
 D-32758 Detmold  
 Germany

www.weidmueller.com

# Accessories

### Crosshead screwdriver, Phillips



VDE insulated screwdriver sets, for working on live parts up to 1000 V AC and 1500 V DC, DIN EN 60900. IEC 900. Each piece is "GS" safety tested. Blade made from fully hardened, high-alloy chromium-vanadium-molybdenum steel, gun-metal finish.

#### General ordering data

Type	SDIK SLIM PH1 X 80	Version
Order No.	<a href="#">2749650000</a>	Mounting tool, Blade length: 80 mm
GTIN (EAN)	4050118896398	
Qty.	1 pc(s).	

### Protection modules



Pluggable protective modules for the D-SERIES relay sockets, with optional protective functions.

- With free-wheeling diode or RC filter

#### General ordering data

Type	RIM 3 110/230VAC LED	Version
Order No.	<a href="#">7760056045</a>	D-SERIES, RC filter, Rated control voltage: 110...230 V AC, Plug-in connection
GTIN (EAN)	4032248878147	
Qty.	10 pc(s).	
Type	RIM 1 6/230VDC	Version
Order No.	<a href="#">7760056169</a>	D-SERIES, Free-wheeling diode, Rated control voltage: 6...230 V, Plug-in connection
GTIN (EAN)	4032248967728	
Qty.	10 pc(s).	
Type	RIM 3 110/230VAC	Version
Order No.	<a href="#">7760056014</a>	D-SERIES, RC filter, Rated control voltage: 110...230 V AC, Plug-in connection
GTIN (EAN)	4032248878109	
Qty.	10 pc(s).	

SCM 4CO ECO

Weidmüller Interface GmbH & Co. KG  
 Klingenbergstraße 26  
 D-32758 Detmold  
 Germany

www.weidmueller.com

Accessories

Blank



ESG is the tried-and-tested marker in MultiCard format for use on many well-known electrical devices. The result is high-quality device marking with a high-contrast appearance.

Various types are available for devices from manufacturers like Siemens, ABB, Beckhoff etc. Advantages at a glance:

- Tags for universal usage, self-adhesive or clip-on tags, depending on type
- For aligned equipment, e.g. circuit breakers, we supply ESG markers for clipping onto tag rails
- Individual laser-quality printing according to specifications

**For custom printing:** Please send us a file of our labeling software M-Print PRO or M-Print PRO Online (without installation) for your labeling specifications.

General ordering data

Type	ESG 9/26 SCM ECO MC NE ...	Version
Order No.	<a href="#">1521000000</a>	ESG, Device markers x 26 mm, PA 66, Colour: grey
GTIN (EAN)	4050118327878	
Qty.	80 pc(s).	
Type	ESG 9/26 SCM ECO MC NE ...	Version
Order No.	<a href="#">1520980000</a>	ESG, Device markers x 26 mm, PA 66, Colour: white
GTIN (EAN)	4050118327939	
Qty.	80 pc(s).	
Type	ESG 9/26 SCM ECO MC NE ...	Version
Order No.	<a href="#">1520990000</a>	ESG, Device markers x 26 mm, PA 66, Colour: yellow
GTIN (EAN)	4050118327861	
Qty.	80 pc(s).	

Crosshead screwdriver Phillips



VDE insulated crosshead screwdriver, for Phillips screws, SDIK PH DIN 7438, ISO 8764/2-PH, output to ISO 8764-PH, SoftFinish grip

General ordering data

Type	SDIK PH1 X 80	Version
Order No.	<a href="#">2749890000</a>	Screwdriver, Blade length: 80 mm
GTIN (EAN)	4050118897098	
Qty.	1 pc(s).	